



Lincoln Marine

EZ STEP

**WELDED PIVOTING LADDER
ASSEMBLY AND INSTALLATION**



INSTRUCTIONS FOR KITS

185797, 184352, and 182869

LINCOLN MARINE, LLC IS NOT RESPONSIBLE FOR ANY ASSEMBLY OR INSTALLATION COMPLETED BY ANYONE OTHER THAN AN AUTHORIZED REPRESENTATIVE.

ASSEMBLY TOOLS NEEDED

- 9/16" COMBINATION WRENCH (MUST HAVE OPEN END)
- 7/32" HEX KEY
- SAFETY GLASSES



PARTS LIST

**VERIFY ALL PARTS ARE ACCOUNTED FOR BEFORE
PROCEEDING**

	<p>LADDER QTY. 1</p>
	<p>END PLUG QTY. 4</p>
	<p>ARM PIVOT MOUNTING PLATE, OUTER QTY. 2</p>
	<p>PIVOT ASSEMBLY, NON-LOCKING QTY. 1</p>
	<p>PIVOT COVER, NON-LOCKING QTY. 1</p>
	<p>PIVOT ASSEMBLY, LOCKING QTY. 1</p>
	<p>PIVOT COVER, LOCKING QTY. 1</p>
	<p>GROUNDING STRAP WITH LUGS QTY. 1</p>

ASSEMBLY INSTRUCTIONS

Step 1

Install both pivot assemblies as shown in figures 1 and 2. Be sure both pivots are oriented as shown.

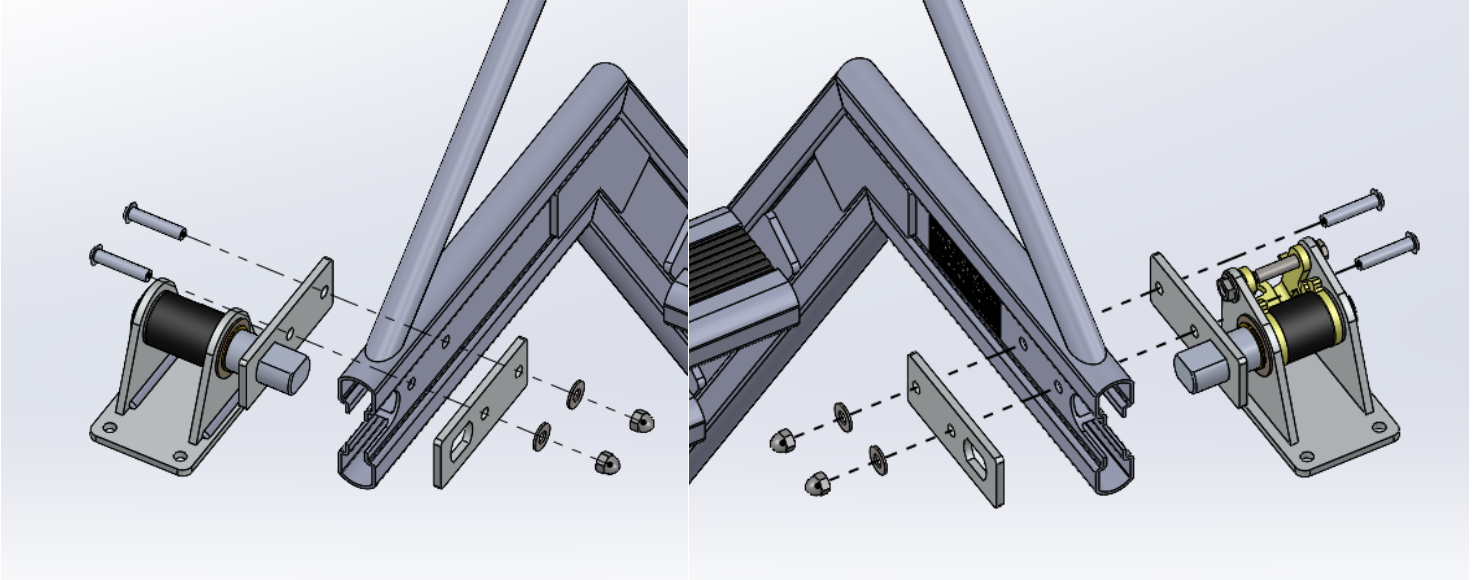


Fig. 1

Fig. 2

Step 2

Install end plugs see figure 3. This completes the assembly instructions.

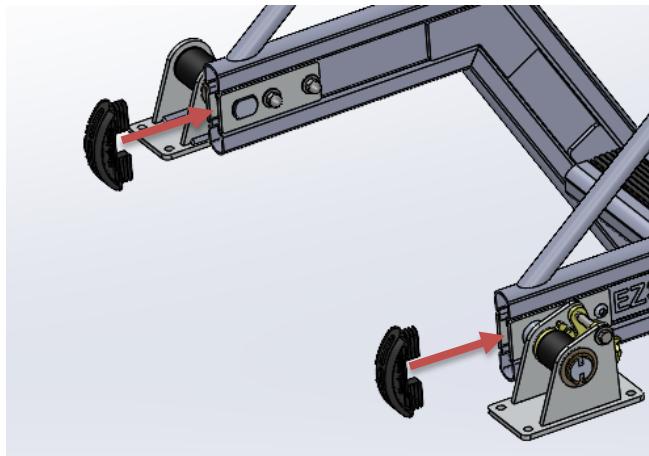


Fig. 3

GROUND INSTALLATION INSTRUCTIONS

Step 1

Install the included grounding cable. **ONE END MUST CONNECT DIRECTLY TO THE LADDER** (see figure 8) with included 1/4" self-tapping screw and the other end directly to the steel post in the water or other appropriate location. Ensure ladder movement is not restricted. **DO NOT CONNECT CABLE TO PIVOT MOUNTING BRACKETS, THEY ARE ELECTRICALLY ISOLATED FROM THE LADDER.**

Step 2

Operate ladder to ensure locking pawls engage when raised and lowered.

Step 3

Install the pivot covers. The ladder is now ready to use.

NOTE: GROUNDING CABLE MUST BE INSTALLED PROPERLY FOR SAFE OPERATION. IMPROPER INSTALLATION MAY RESULT IN ELECTRIC SHOCK, SERIOUS INJURY OR DEATH

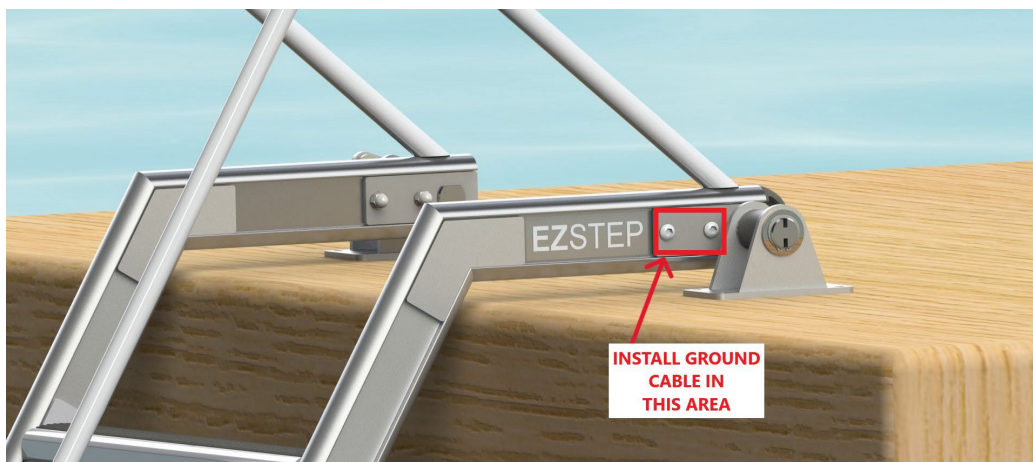
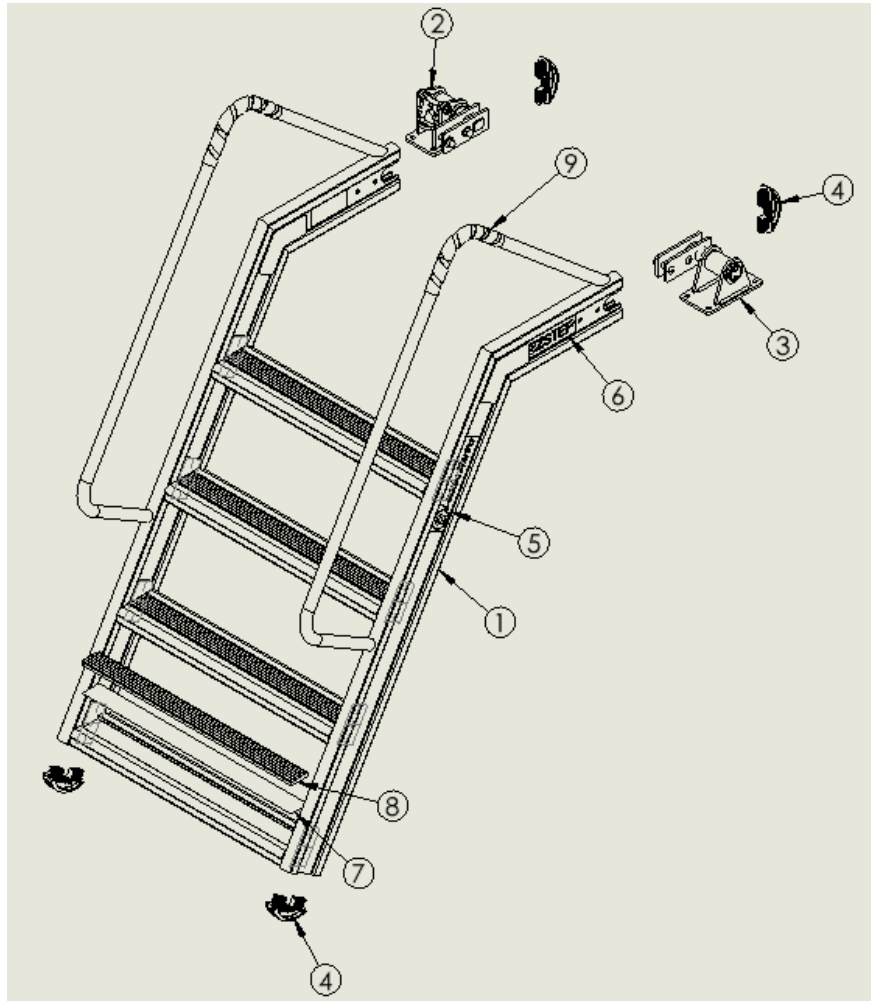


Fig. 8



ITEM NO.	4-STEP PART #	5-STEP PART #	6-STEP PART #	DESCRIPTION	QTY.
1	185796	184351	182868	LADDER ASSEMBLY WELDMENT 4-1/2" 5 STEP	1
2	184603	184603	184603	PIVOT ASSEMBLY - LOCK SIDE	1
3	184604	184604	184604	PIVOT ASSEMBLY - NON-LOCK SIDE	1
4	183390	183390	183390	SIDERAIL END PLUG	4
5	102906	102906	102906	DECAL - LINCOLN MARINE	2
6	102909	102909	102909	DECAL - EZSTEP	2
7	186209	102934	102934	DOUBLE STICK TAPE 23-3/4"	1
8	102907	102841	102841	STEP INSERT EXTRUSION 23-3/4"	1
9	186210	103322	103322	SPIRAL WRAP 3/4" BLACK TUBING - 10" LENGTH EACH HANDRAIL	2
10	182948	182948	182948	DECAL, US PATENT (EZ STEP DOCK LADDER)	1
11	103053	103053	103053	30" GROUNDING WIRE 6GA GREEN	1
12	103059	103059	103059	GROUND LUG MECHANICAL 14-4 AWG 1/4" MOUNT	2

Items #11 and #12 are not shown.

EZ REMOVAL

EZ REMOVAL

The EZ STEP ladder is designed to not only be easy and safe to use, but also for EZ removal for the off season. Follow the pictures below to remove the ladder from the dock. The pivots will remain in place. Place all hardware in a place where it can be located when it comes time to re-install the ladder.

